



HO Structure Kit LIBERTY BANK AND TRUST 933-3772

Thanks for purchasing this Cornerstone kit! All parts are styrene plastic, so use compatible glue and paint to complete your model. Please take a few minutes to read these instructions and study the drawings before beginning.

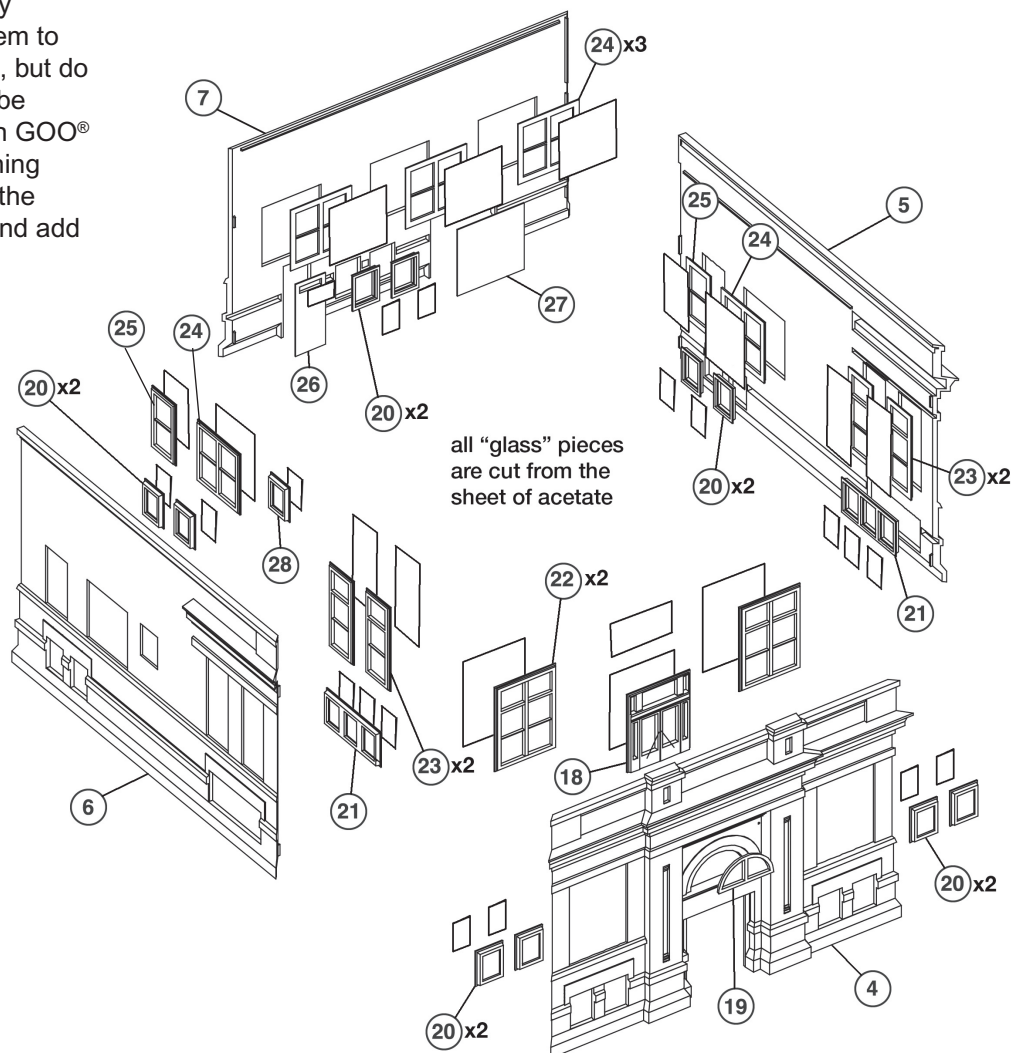
Saving for a rainy day is nothing new for humans, as our modern banking system really began in ancient times. Of course, using a few head of cattle as collateral to borrow several bushels of grain was a lot of work, gradually leading to the use of small pieces of precious metals, and later paper as a means of exchange. All of these items required safe, secure storage, and some means of keeping track of their rightful owners, as well as the business that was transacted. Secure palaces and temples were often used, and their designs would influence the image of bank buildings for centuries to come. Stone and classic ornamentations were common to project confidence, security and power, but this also made the building hard to modify. As a result, older bank buildings are still a distinctive part of many commercial areas, although occupied by much different businesses today.

For additional details and Cornerstone kits to model a complete city scene, visit your local hobby shop, or check out the latest Walthers HO Model Railroad Reference Book and waltherscornerstone.com.

1) Turn to pages 3 and 4, and study the illustrations for era specific detailing. These are suggestions only, and you can mix parts if desired. For the Modern Bank Sign (31), drill two 1/16ths diameter holes in the Front Wall (4) in the location shown. For the vintage Wall Sconces (32), drill two holes with a #61 drill bit on either side of the Front Door.

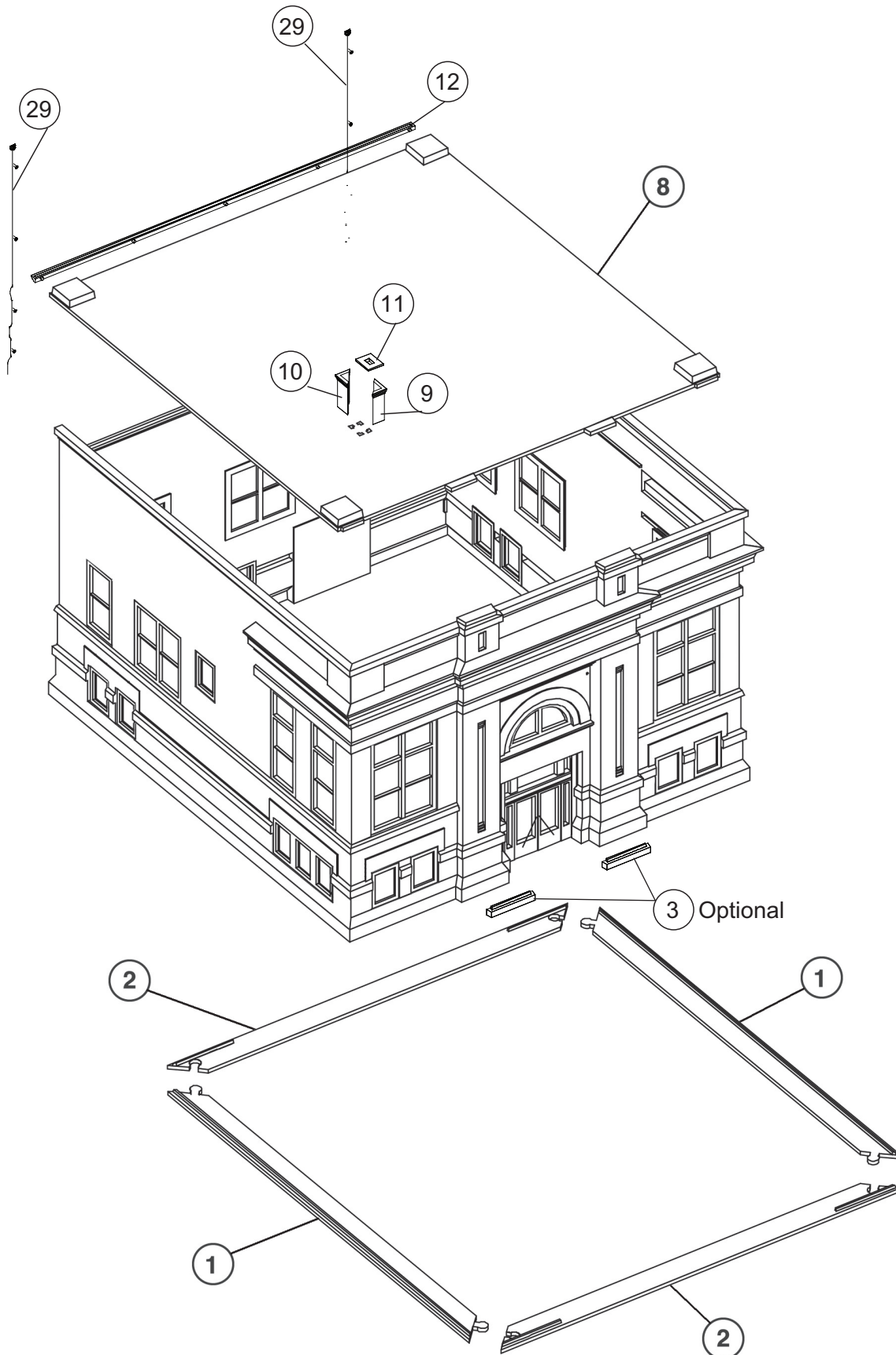
2) Glue Windows (20, 21, 22, 23, 24, 25, 28) and Doors (18, 26, 27) into the openings of Walls (4, 5, 6, 7) as shown from the **backside**. Glue Arched Window (19), into the opening on Wall (4) from the front.

3) Cut 16 pieces of Acetate exactly 10mm wide by 13mm tall. Add them to backside of each Window (20, 21), but do not add where Parts 34 or 35 will be installed. Secure the Acetate with GOO® or canopy cement. For the remaining "Glass" pieces, cut the acetate to the approximate size of the window, and add into position.

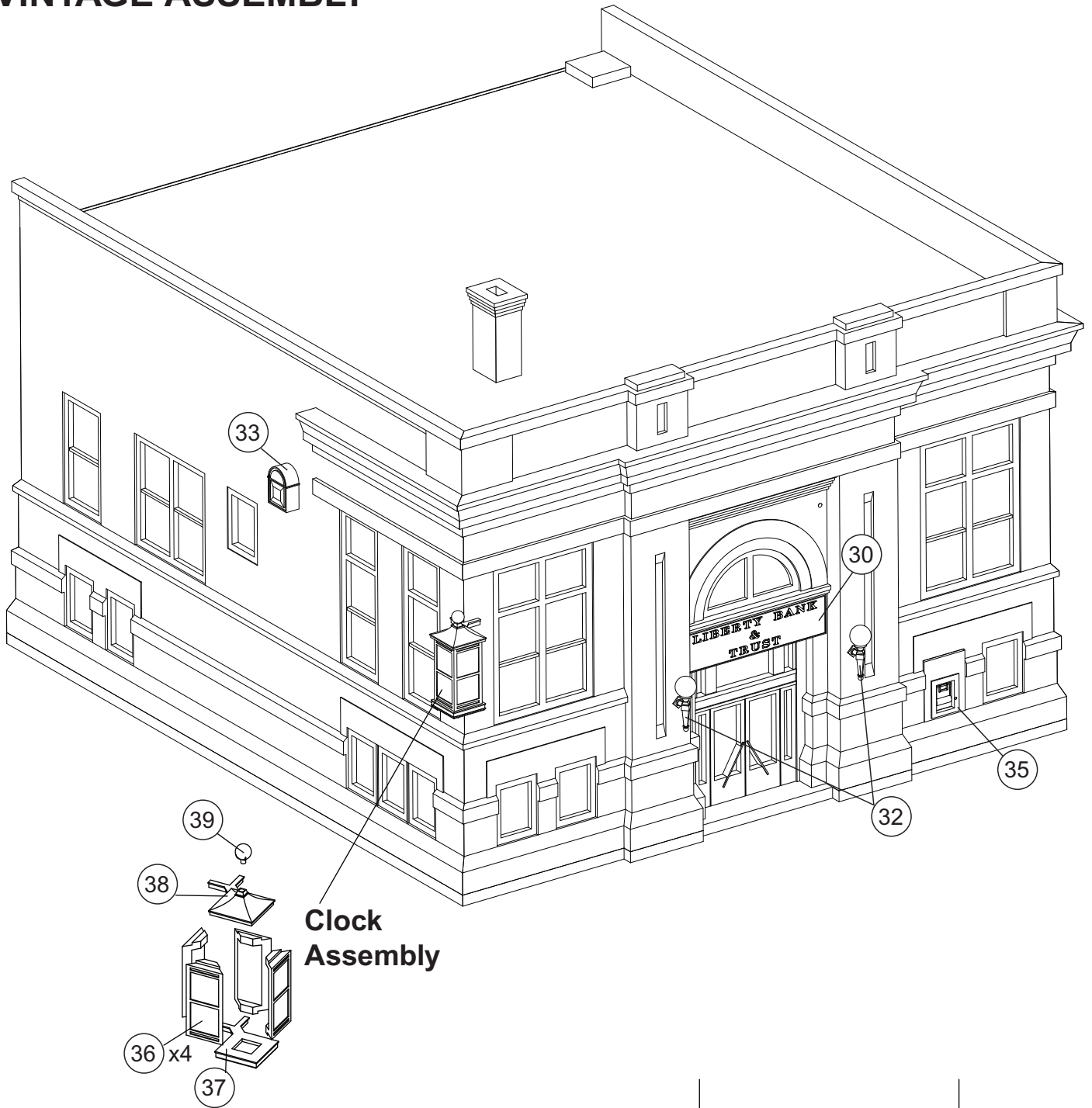


4) Glue the Base Sections (1, 2) together as shown and set aside to dry. Be sure the assembly is square. When dry, glue completed Walls (4, 5, 6, 7) to each other and to the Base. Cement Chimney parts (9, 10, 11) to each other and to the Roof (8). Rear Gutter (12) fits into the holes near the top edge of Wall (7). Downspouts (29) fit into the vertical holes on the Back Wall surface. The Roof (8), can now be added.

5) Column Extenders (3 - optional), are provided as gap fillers for different sidewalk installation methods. Extenders are not needed when using Cornerstone Street System products (not included, sold separately), as the Columns will rest on the sidewalk surface.

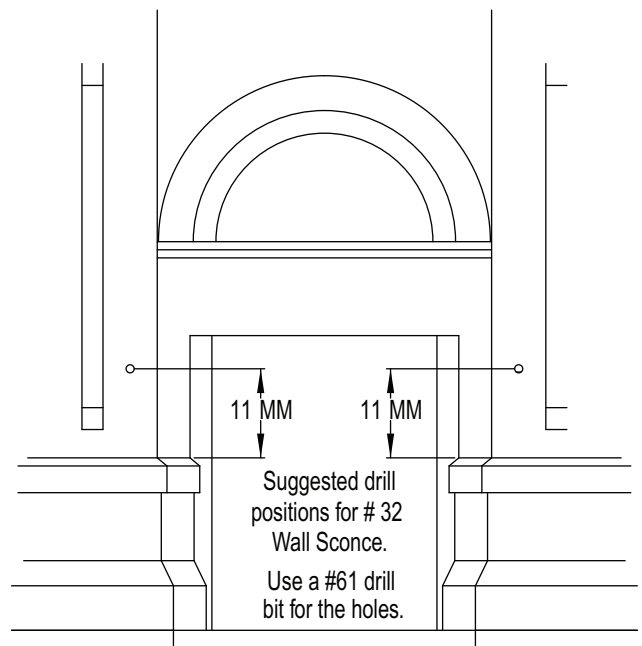


VINTAGE ASSEMBLY

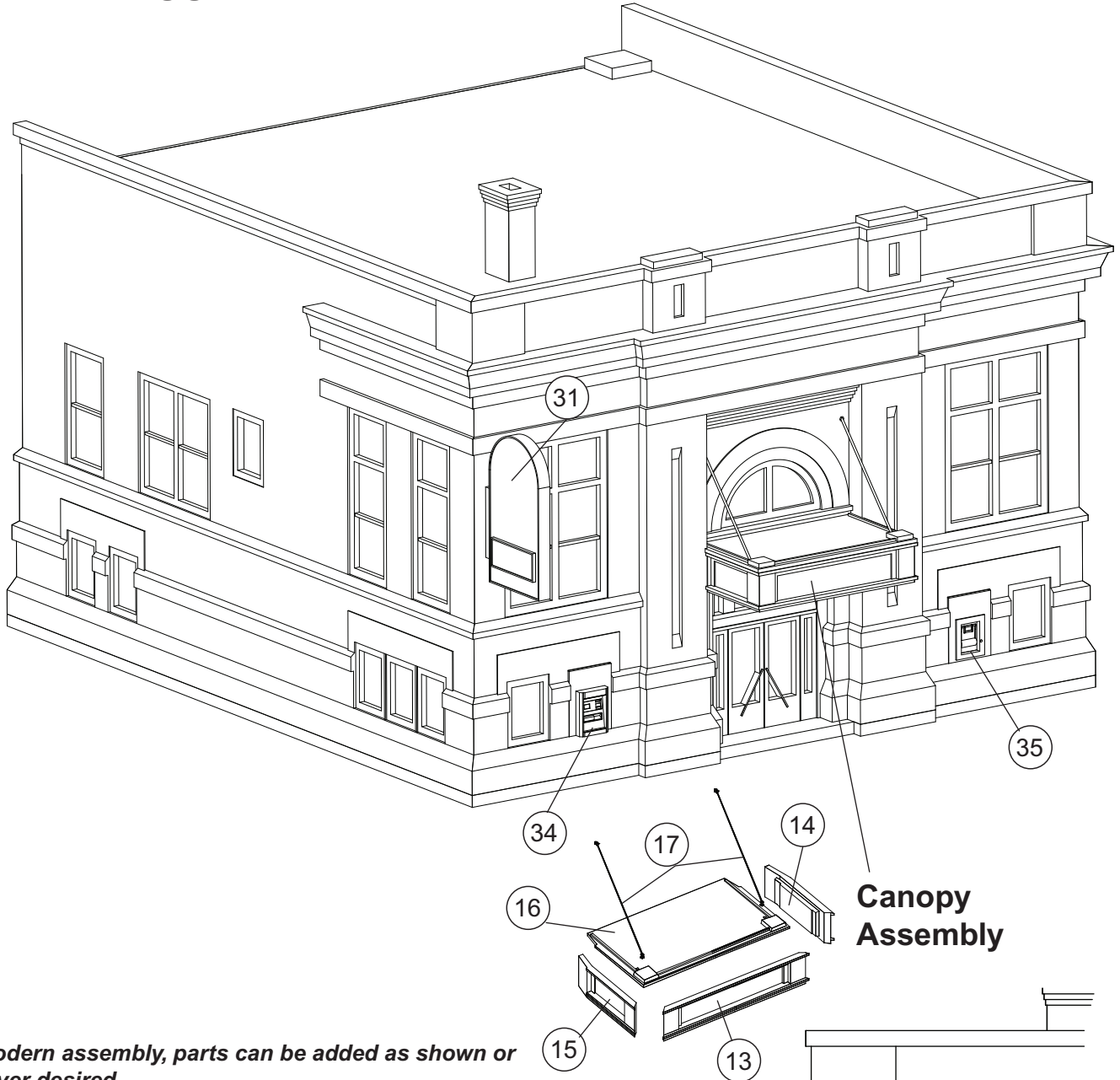


For the Vintage assembly, parts can be added as shown or wherever desired.

Glue the Clock Body parts (36 x 4), to each other, and to Lower Bracket (37). Let this assembly dry, then add the Upper Bracket (38) and Finial Ball (39). Decorate the Clock with the appropriate decals before adding it to the model. Use the holes drilled in Step 1 to add the Sconces (32 x 2), to the Front Wall. Night Deposit Box (35) will fit on top any #20 or #21 window location. Adding the Burglar Alarm (33) and Nameplate (30), complete the kit.

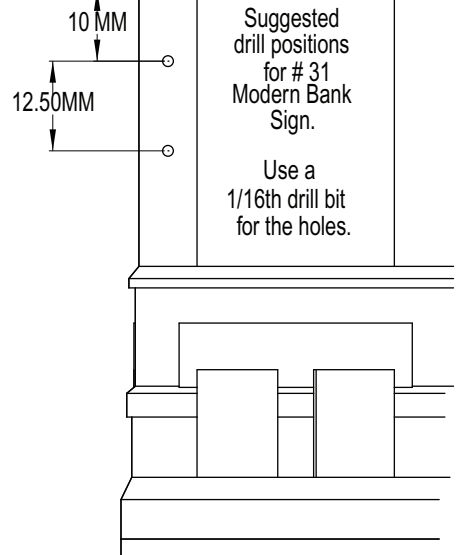


MODERN ASSEMBLY



For Modern assembly, parts can be added as shown or wherever desired.

Use the holes drilled in Step 1 to add the Modern Bank Sign (31), to the Front Wall. ATM (34) and Night Deposit Box (35) fit on top any #20 or #21 window location. Assemble the Awning parts (13, 14, 15, 16, 17) as shown and add to the model above the Main Entrance to complete the kit.



DECALING

1. After cutting out the decal, dip in water for 10 seconds, remove and let stand for 1 minute. Slide decal onto surface, position and then blot off any excess water.
2. Lightly brush Micro Sol® on top. This will soften the decal allowing it to conform to irregular surfaces. **DO NOT TOUCH DECAL while wet!**
3. When the decal is thoroughly dry, check for any trapped air bubbles. Prick them with the point of a small pin or hobby knife blade and apply more Micro Sol®.